

Compact Lite



Built for control

Stirling Dynamics' Compact Lite is a generic 2-axes active inceptor with configurable feel characteristics, able to mimic the form and feel of any aircraft. Designed for side or centre placement.

The Compact Lite provides forces up to 89N at grip reference point of 197.5mm. Feature-rich, highly reconfigurable, and suitable for single cockpit configurations.

Features

- Programmable feel characteristics
- Real-time control
- Reconfigurable
- Common control interface

Description	Specification
Continuous operational force*	89N (20 lbf)
Active travel	$\pm 23^\circ$ Roll and pitch axes
Maximum velocity	120°/s
Interconnecting cables	1 x Interconnecting cable between control and ICM-Lite
Grip type	Optional generic or replica
Grip interface	MIL-SPEC D38999/26FD35SN with threaded locking ring
Grip switch wiring	Via ethernet from ICM-Lite or external flying leads direct from grip
Software interface	UDP over 1000Base-T ethernet
Input power supply	ICM-Lite [AC power supply included]
Weight	3.4 kg (7.5 lb)

* At nominal grip reference point of 197.5 mm (7.8")

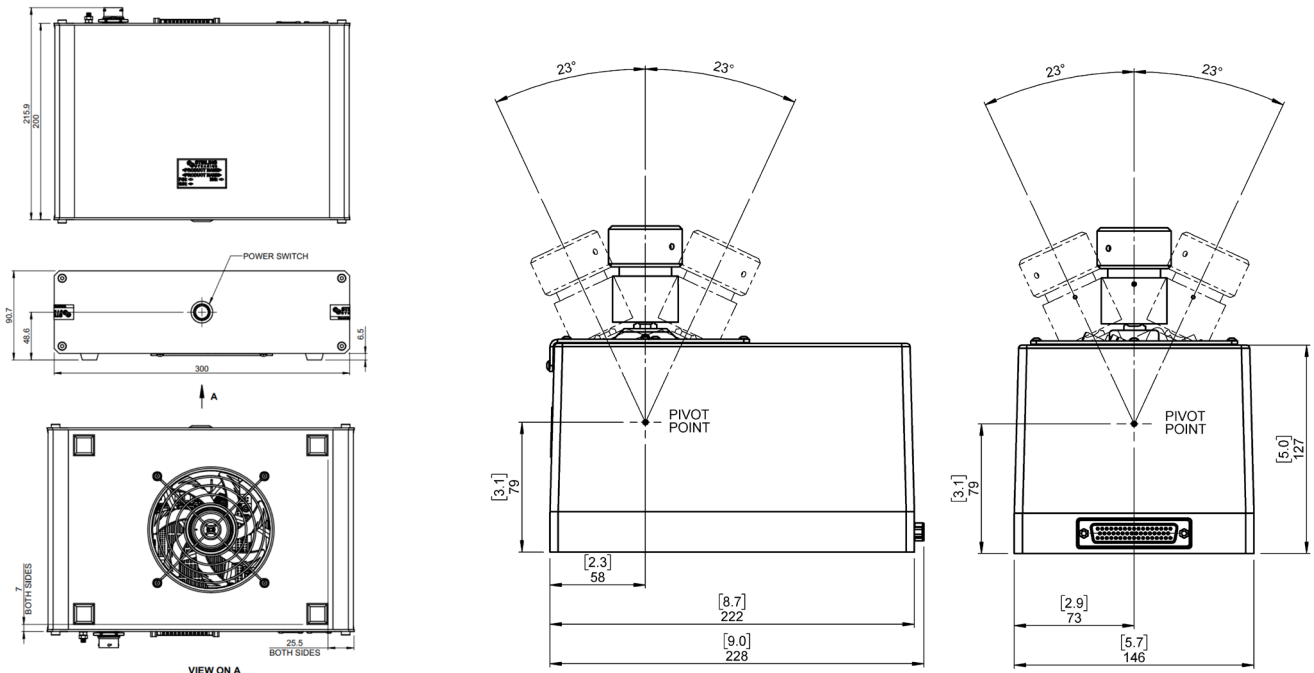
Our products work even better together

With versatility in mind, all of our active controls are commanded by a dedicated electronics Inceptor Control Module (ICM), which provides an ethernet interface allowing minimal integration effort. From a single fixed wing cockpit to dual rotary cockpit configurations, multiple ICMs can be used in combination to provide designers with total flexibility.



Product Integration

Compact Lite (right)
ICM-Lite (left)



How do I connect and control my new Stirling simulator product?

Stirling Dynamics' active controls interface to your simulator software through a UDP over LAN connection. Multiple systems can be connected via the LAN with their own IP address. We can provide a separate GUI (Graphical User Interface) that can configure the devices with specific settings, or you can send message sequences to control your devices in real time. Stirling Dynamics will also provide you with all the integration documentation you will need to successfully set up your new control product.

Dashed lines supplied by client
Dotted lines supplied by client or Stirling Dynamics

